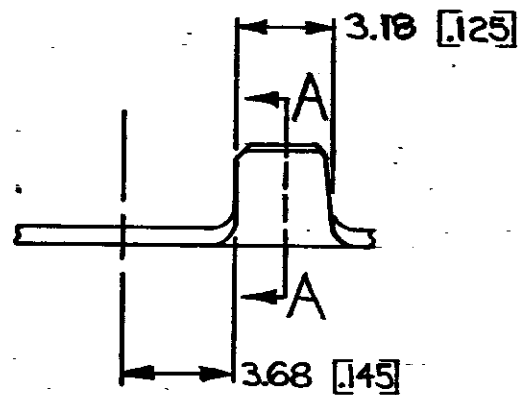
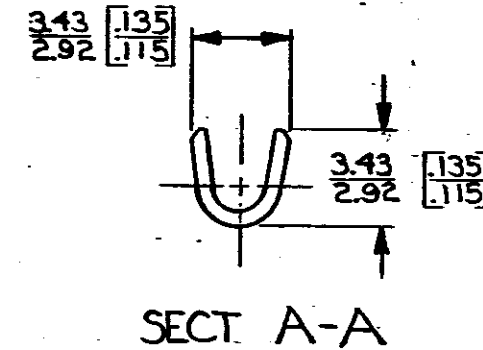
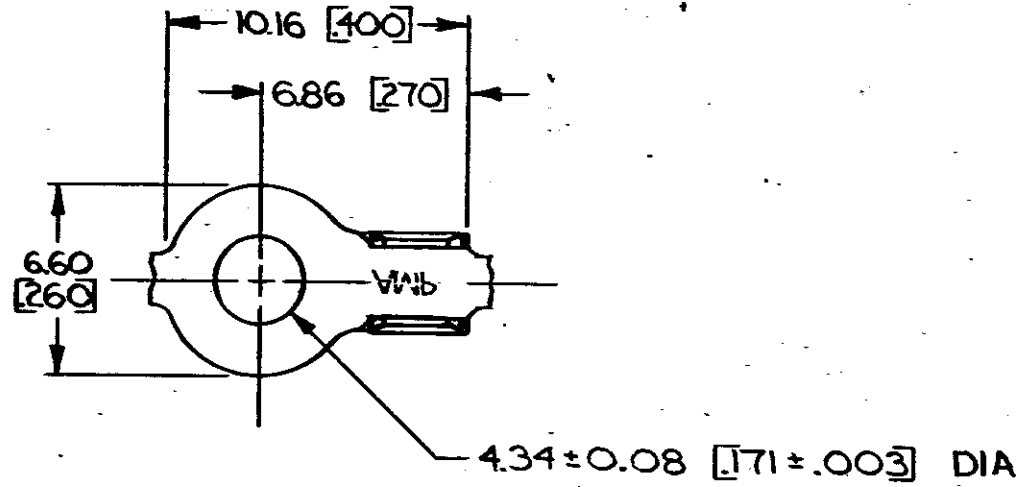


© COPYRIGHT 1969 BY AMP INCORPORATED, HARRISBURG, PA.  
 ALL INTERNATIONAL RIGHTS RESERVED. AMP INCORPORATED PRODUCTS  
 COVERED BY U. S. AND FOREIGN PATENTS AND/OR PATENTS PENDING.

		REVISIONS			1	LOC AF	DIST 50
P	F	ZONE	LTR	DESCRIPTION	DATE	APPROVED	
✓	✓		A	REDRAWN & REVISED 4-3943	2/26/78	SS/	
✓	✓		B	REVISED PER A-6127	9/19/83	SS/ 94	
✓	✓		C	REVISED AF1947	5/19/86	SS/ 94	



- 1. CONTINUOUS STRIP ON REELS.
- 2. DIMENSIONS IN BRACKETS ARE IN INCHES.

**METRIC**

M 4 * 8	0.5-1.4 mm <sup>2</sup> [20-16]	NONE	0.51 [0.020] BRASS	40749
STUD SIZE	WIRE RANGE	FINISH	MATERIAL	PART NO
UNLESS OTHERWISE SPECIFIED DIMENSIONS ARE IN mm TOLERANCES ON: DECIMALS ± 0.38 [0.15] ANGLES ± 1°		CONTRACT NO	AMP INCORPORATED Harrisburg, Pa.	
MATERIAL SEE TABLE	CONTRACT NO DR <i>L. Magano</i> 4/26/78 CHK <i>L. Hoffmann</i> 7/22/78	NAME RING		
FINISH SEE TABLE	APPR <i>R.P. Frantz</i> 8-1-78 APPR <i>Co. 7/1/78</i> 8-1-78	SIZE B	CODE IDENT NO 00779	DRAWING NO 40749
OTHER APPD		SCALE	SHEET	

CUSTOMER DRAWING